

# Fiber Optic Rack Mount Patch Panel

(LongXing Ref: GPX82-RRM)

This rack mount patch panel is designed for splicing indoor or outdoor optical fiber cables with pigtailed, connecting with patch cords through adapters, and can be installed on industry standard racks.

The rotate (swing out) design offers extreme convenience for first time installation and future maintenances.



## Features:

- **Strong & Pleasing appearance:** Top quality steel with electrostatic (powder) painting.
- **Flexible installations:** Front or rear mounting options with removable mounting brackets to suit different rack styles. (LongXing also offers central mounting option for using with [GPX82-2 HD-ODF](#))
- **Easy operations:** Rotate (Swing out) type with front door.
- **Total front access for users:** Cables can be entered from both left and right sides.
- **Uses [LongXing adapter holders](#):** Adapters are fitted with angles and no screws are needed.
- **Removable front door:** Offers secure environment for adapters, patch cords and pigtailed.
- **Bend radius controlled:** Ensures the safety of the optical cables.
- **Adoptable adapter types:** FC, SC, LC/Duplex, ST.

## Optional Features (must state on PO if needed):

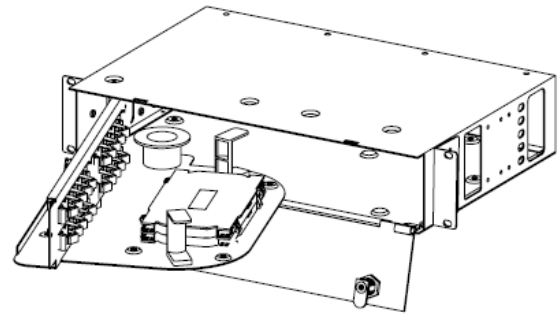
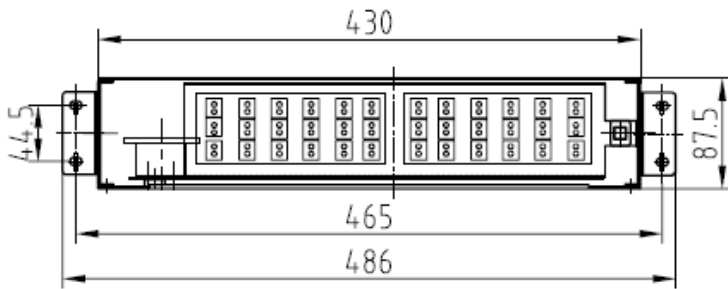
- Removable top cover for easier installation & maintenances.
- Cable fixing units for fixing the central strength members of outdoor cables.
- Rear access points.
- 21" or 23" mounting brackets.

Updated on 28 August, 2011

### Recommended Operation Conditions:

- Temperatures: -5°C -- 60°C
- Humidity: 90% at 30°C
- Air Pressure: 70kPa – 106kPa

### Dimensions:



- Width: 486mm (465 between installation holes)
- Depth: 300mm
- Height: 1U – 4U

### Capacities:

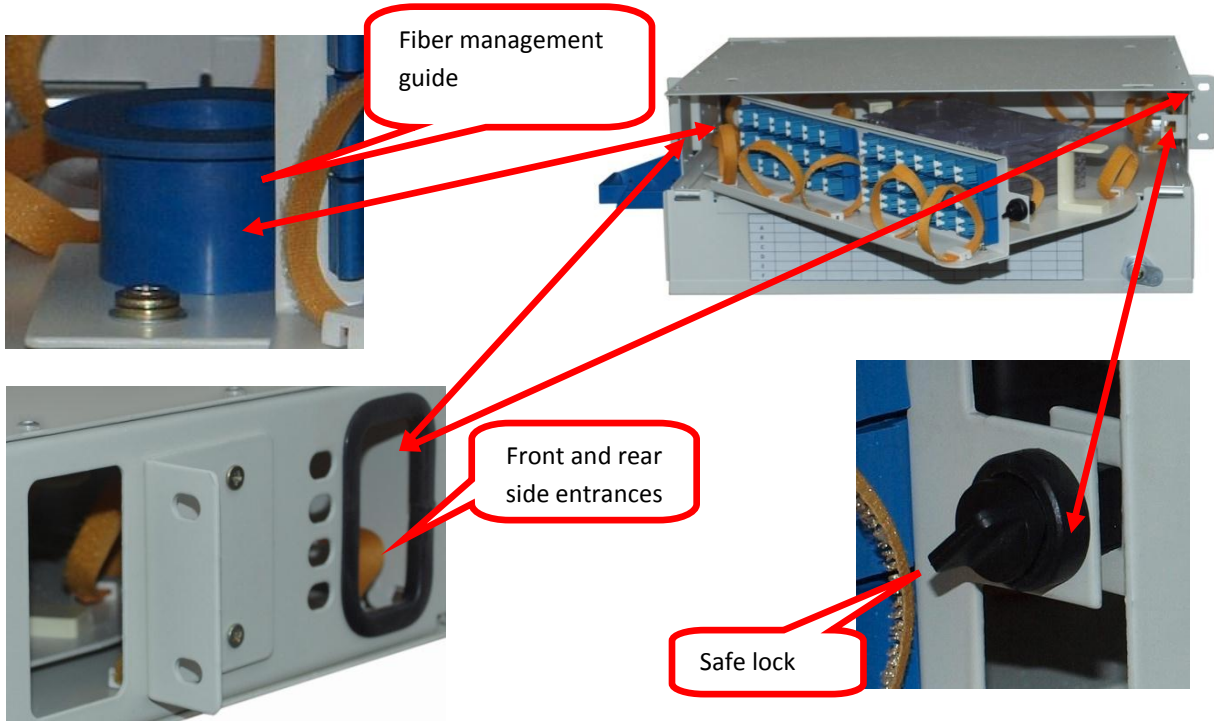
Height	Max Capacities (Cores) with different adapter types		
	SC	FC	LC/Duplex
1U	24	12	24
2U	48	36	72
3U	96	60	120
4U	144	84	168



Updated on 28August, 2011

All drawings, designs, specifications, plans and particulars of weights, size and dimensions contained in the technical or commercial documentation of LongXing is indicative only and shall not be binding on LongXing or be treated as constituting a representation on the part of LongXing.

**Part Details:**



**Order Guide:**

RRM - \_\_\_\_\_

Material	Height	Adapter	Capacity	Color	
A: Aluminum body	1U	SC	Enter the capacity required. (within relevant max. capacity)	W: White	
	2U	FC		B: Black	
S: Steel body	3U	LC (Duplex)		G: Grey	
	4U	ST		Other colors may available.	

**Example:**

**RRM-S1USC24W** : A steel body slot type patch panel with height of 1U, 24 SC adapters and white color.

**Contact:**

International Trade Department  
 18, Anju Road, Beilun District, Ningbo, 315800, China.  
 Direct: +86 574 87917627  
 Email: [info@nblxtelecom.com](mailto:info@nblxtelecom.com)  
 Web: [www.lxtelecom.com](http://www.lxtelecom.com)

Updated on 28August, 2011

All drawings, designs, specifications, plans and particulars of weights, size and dimensions contained in the technical or commercial documentation of LongXing is indicative only and shall not be binding on LongXing or be treated as constituting a representation on the part of LongXing.